



# ***Exploding The Phone***

db875

www.explodingthephone.com

Bibliographic Cover Sheet

Title           **Wozniak Digital Blue Box Schematic #3**

Date            1972-03-06

Author(s)      Wozniak, Steve

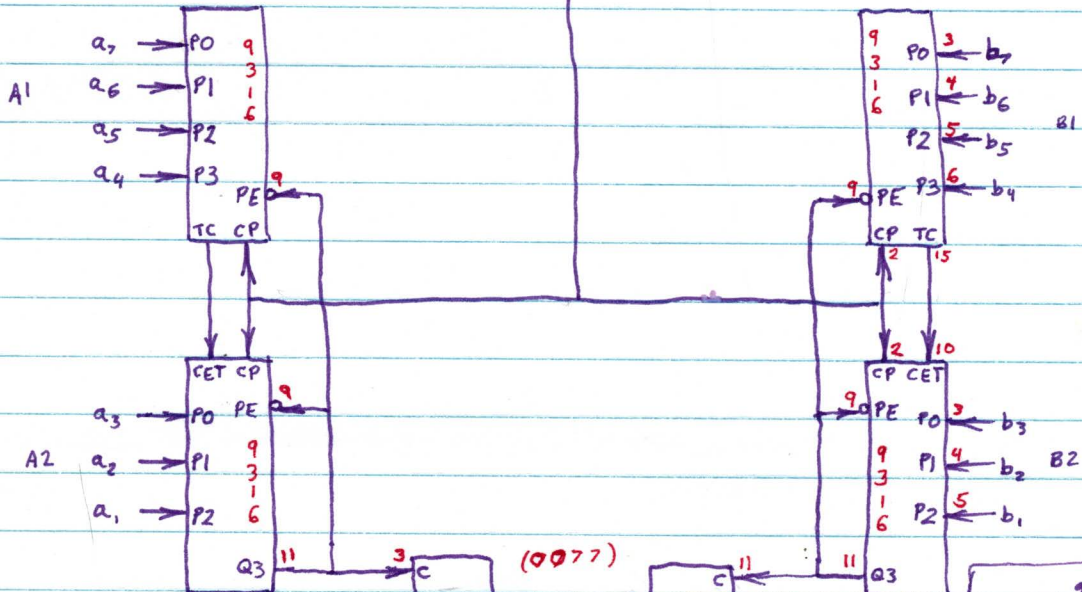
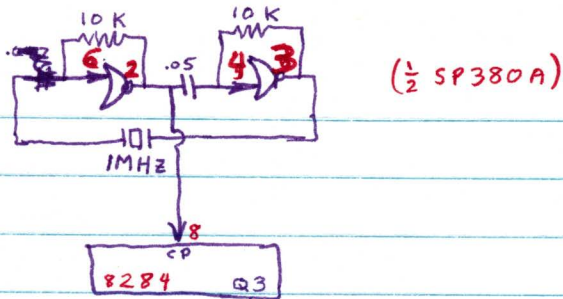
Abstract        Schematic of "digital blue box #3" dated 3/6/1972 by Steve Wozniak

Keywords       Steve Wozniak; digital blue box; blue box

Notes           We have electronic copy only; BJK has original.

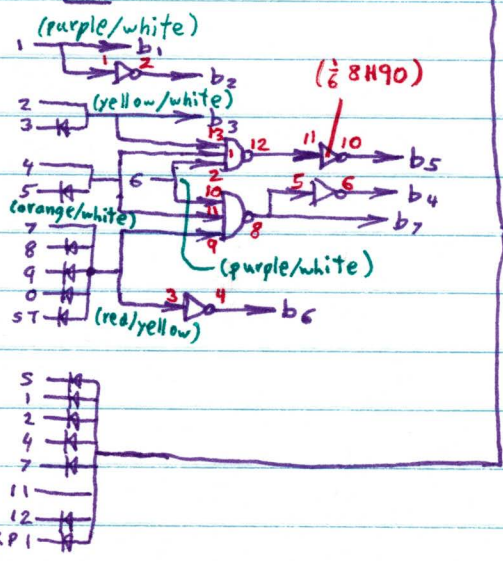
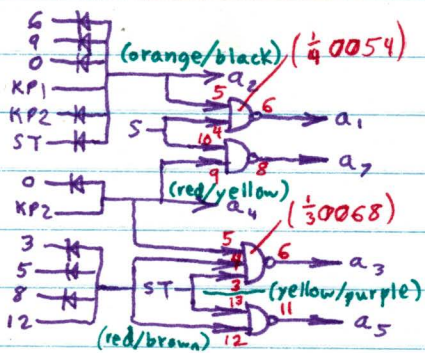
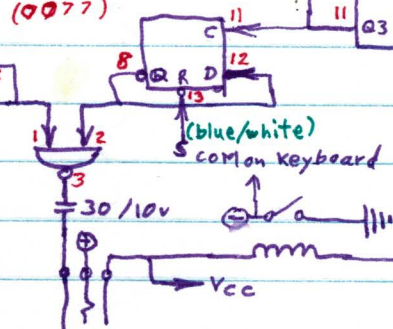
Source          An anonymous phone phreak

*The following pages may contain copyrighted material. We believe that our use of this material for non-commercial educational and research purposes constitutes "fair use" under Section 107 of U.S. Copyright Law. If you wish to use this material for purposes that go beyond "fair use," you must obtain permission from the copyright owner, if any. While it will make us slightly sad to do so, we will nonetheless comply with requests from copyright owners who want their material removed from our web site.*



(B2)	(A2)	
9316	9316	0068
(B1)	(A1)	0054
9316	9316	<del>0077</del>
8H90	8284	0077

TOP



KEYBOARD: Micro-switch 16NW3-1